

ADDENDUM NO. 1
April 5, 2016

Project Number: WASD Bid # 812901- Meridian Elementary Parking Lot Rehabilitation

Project Title: Rehabilitation of the Parking Lot at Meridian Elementary School

Agency: West Ada School District, Meridian, ID

Engineer: KM Engineering, LLP

Bid Opening: Monday, April 9, 2018 – 10:00 a.m.

**Location: District Service Center, City of Meridian
1303 East Central Drive, Meridian, Idaho 83642**

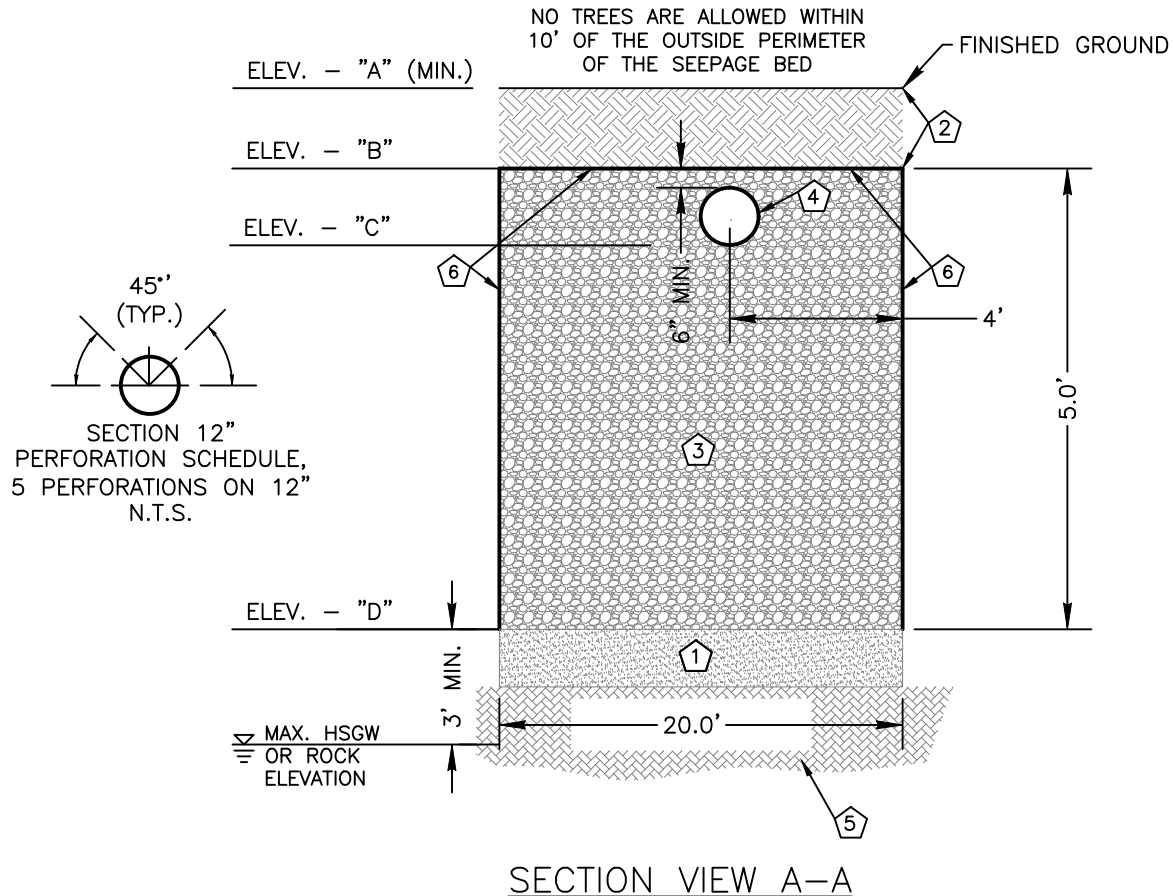
All information contained in this addendum is hereby made part of the contract documents pertaining to the above-mentioned project and shall be binding upon each Contractor submitting bids. Contractor shall be responsible to notify all sub-contractors and/or suppliers of the contents of this addendum.

Additional Information: A seepage bed will be installed to retain drainage on site.

The contract documents for the project identified above are amended as follows:

1. **Replace:** Construction Drawings Sheet C1.3, Detail “SECTION VIEW A-A” with “SECTION VIEW A-A” shown on attached Exhibit 1 (See Sheet 2 of 2).

END ADDENDUM ONE (2 Sheets Total)



KEY

1. ISPWC 801 OR ASTM C33 FILTER SAND.
2. MINIMUM OF 1.5-FT COVER FROM TOP OF BED TO FINISH GRADE.
3. 3/4" - 2" ANGULAR ROCK.
4. 12"Ø PERFORATED PIPE. INSTALL PERFORATIONS PER DETAIL, THIS SHEET.
5. SUITABILITY OF SUBGRADE TO BE VERIFIED BY GEOTECHNICAL ENGINEER.
6. NON-WOVEN FABRIC, MIRAFLI 140N OR EQUIVALENT. OVERLAP MINIMUM OF 1-FT TOP AND SIDES ONLY.

SEEPAGE BED TABLE

SEEPAGE BED	BED LENGTH	BED WIDTH	BED DEPTH	ELEVATION "A"	ELEVATION "B"	ELEVATION "C"	ELEVATION "D"	GROUND WATER EL.	100-YR VOLUME PROVIDED
SB-1	47.0'	20.0'	5.0'	2601.91'	2600.41'	2598.91'	2595.41'	2591.91'±*	1907 CF



ENGINEERS . SURVEYORS . PLANNERS

9233 WEST STATE STREET
BOISE, IDAHO 83714
PHONE (208) 639-6939
FAX (208) 639-6930

MERIDIAN ELEMENTARY SCHOOL PARKING LOT REHABILITATION
MERIDIAN, IDAHO

DATE: 4/5/18
PROJECT: 17-135

SHEET:
2 OF 2

EXHIBIT 1
DETAIL